



You like knowing you're on the route to success.

www.airbridgecargo.com



IOSA Registered Operator



Member



You like reaching new heights.



AirBridgeCargo Airlines at-a-glance

AirBridgeCargo Airlines (ABC) was launched in 2004 as a division of Volga-Dnepr Group to perform internationally scheduled cargo services. Today, it is one of the leading international cargo airlines and a recognized leader in the Russian market. ABC transports its customers' freight all over the world, connecting shippers and consignees in Europe and the Middle East, North America, Asia and Russia.

Throughout its development, the airline has achieved strong growth, reporting a compound average tonnage increase of 12% in the last five years. ABC's remarkable performance is based on its focus and determination to build long-term relationships with customers around the world and deliver best-in-class service, both in the air and on the ground. The airline is committed to operating to the highest industry standards.

« It's so rewarding to be part of a team that values tried and true industry principles but combines them with innovative ideas. It's this mindset that allows us to keep growing and take our customers' businesses anywhere they want to be. That's why we love our job. »



You like being globally connected.



AirBridgeCargo Airlines around the world

AirBridgeCargo is already one of the fastest-growing internationally scheduled cargo airlines. Since the airline's initial B747 flight took off from Moscow on its way to Beijing, ABC has achieved thirteen years of consecutive growth. Over the years, ABC has successfully expanded its network and cargo capacity, adding much needed support for customers in a challenging air cargo market. 2016 has seen further expansion by introducing flights to Houston and Seattle in the United States, Abu Dhabi in the United Arab Emirates, Chongqing in China, Phnom Penh in Cambodia, London Heathrow in the United Kingdom and, most recently, Oslo, Norway, to serve the country's thriving market for salmon exports. In 2017, Taipei in Taiwan was launched as a new network location and ABC is continuously working on further expanding its ever-growing list of cargo routes.

Today, ABC is a sound name associated with quality and unparalleled service when it comes to charter flights using its 747 freighters. In 2016, the airline saw a 47% "year of the year" increase in the use of charter flights. The airline's fleet of 17 Boeing 747 freighters is one of the youngest in the world, and in high demand among customers internationally – especially when it comes to delivering unique and off-size cargo shipments.

Around the world AirBridgeCargo Airlines is respected and known for international expertise, highest quality service and its commitment to making air cargo shipments as fast and easy as possible for customers.





 You like business solutions that deliver.

« Exceeding expectations is one of our cardinal rules. We go above and beyond to make sure we meet the needs of our customers – their success is our success. That's why we love our job. »

We put our customers first in everything we do

Understanding the needs of our clients is one of the major contributing factors in the company's development and meeting these needs is the goal of the more than 900 ABC employees worldwide. Our commitment to delivering highly reliable services is achieved by:

- Operating a modern all cargo fleet
- Presenting a greater choice of transportation opportunities by continually expanding ABC's global route network
- Creating confidence and trust in ABC's ability to consistently maintain the highest quality of service
- Investing in a professional, global team of experts based in every operating region

AirBridgeCargo has been recognized with a series of leading industry awards for the quality of its performance.

Awards





You like efficiency at its best.

AirBridgeCargo operates a modern, efficient and capable fleet of Boeing 747 freighters.

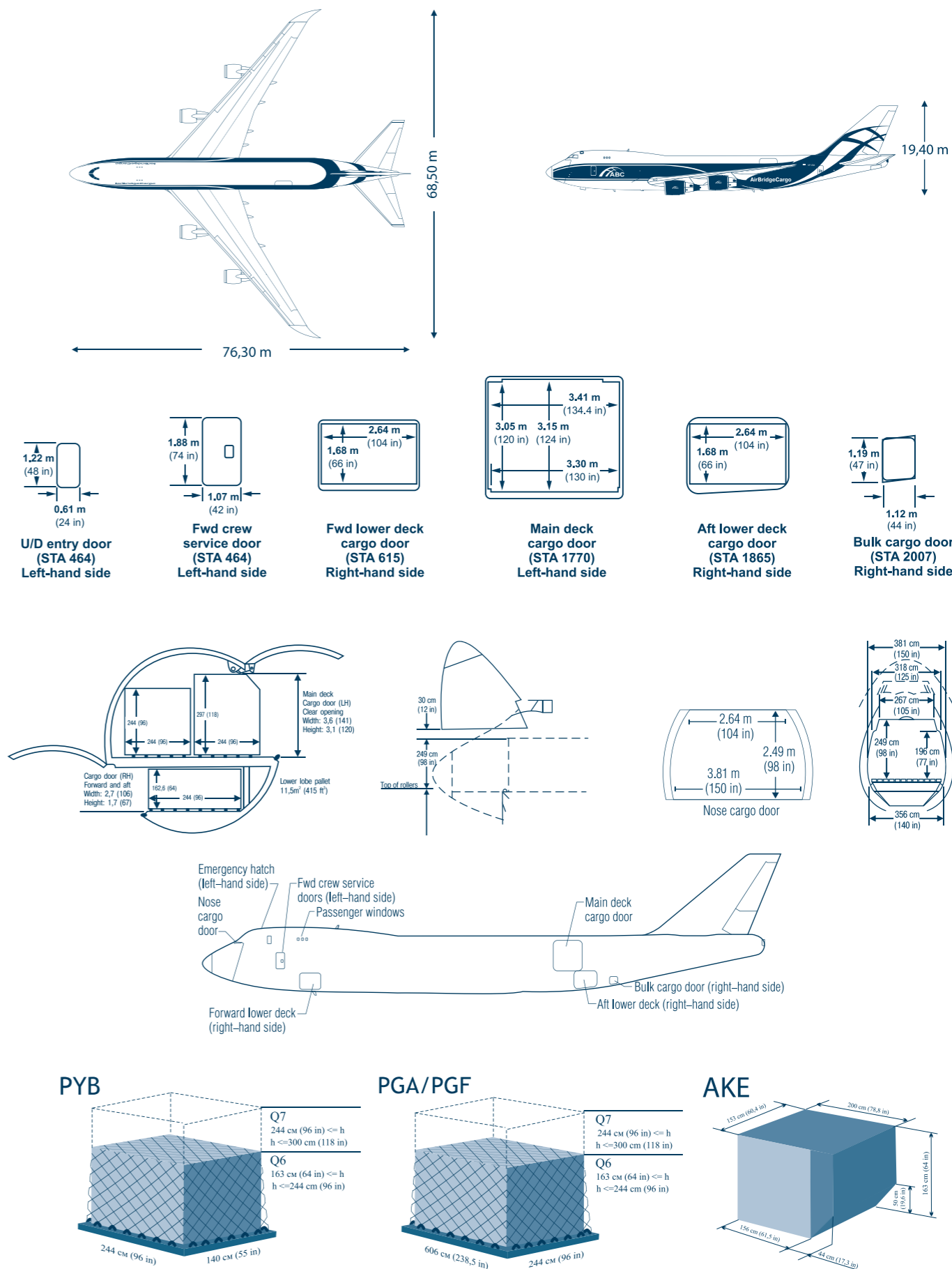
Currently, its fleet consists of 17 Boeing 747 freighters, comprising five Boeing 747-400ERFs, two B747-400Fs, and ten of the latest generation Boeing 747-8Fs. The new generation 747-8 freighter offers an increased payload capacity of up to 139 tons on a single flight and can accommodate cargoes of up to 45 meters in length. AirBridgeCargo's services are also complemented by express and regional services, operated with three Boeing 737-400s.

ABC's all-Boeing fleet offers a number of important customer benefits:

- Access to maindeck cargo capacity across AirBridgeCargo's entire global network
- 747: nose-door loading for oversized cargo and priority loading
- 747: separate cargo compartments with temperature settings of between 4°C to 29°C
- 747: lower CO₂ emissions

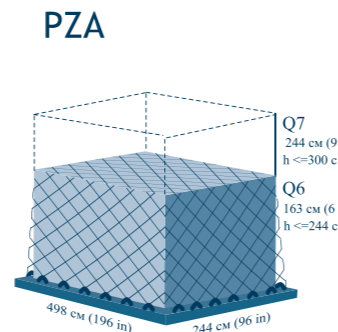
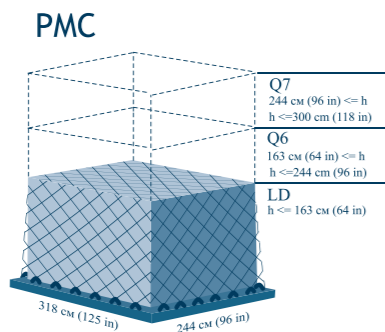
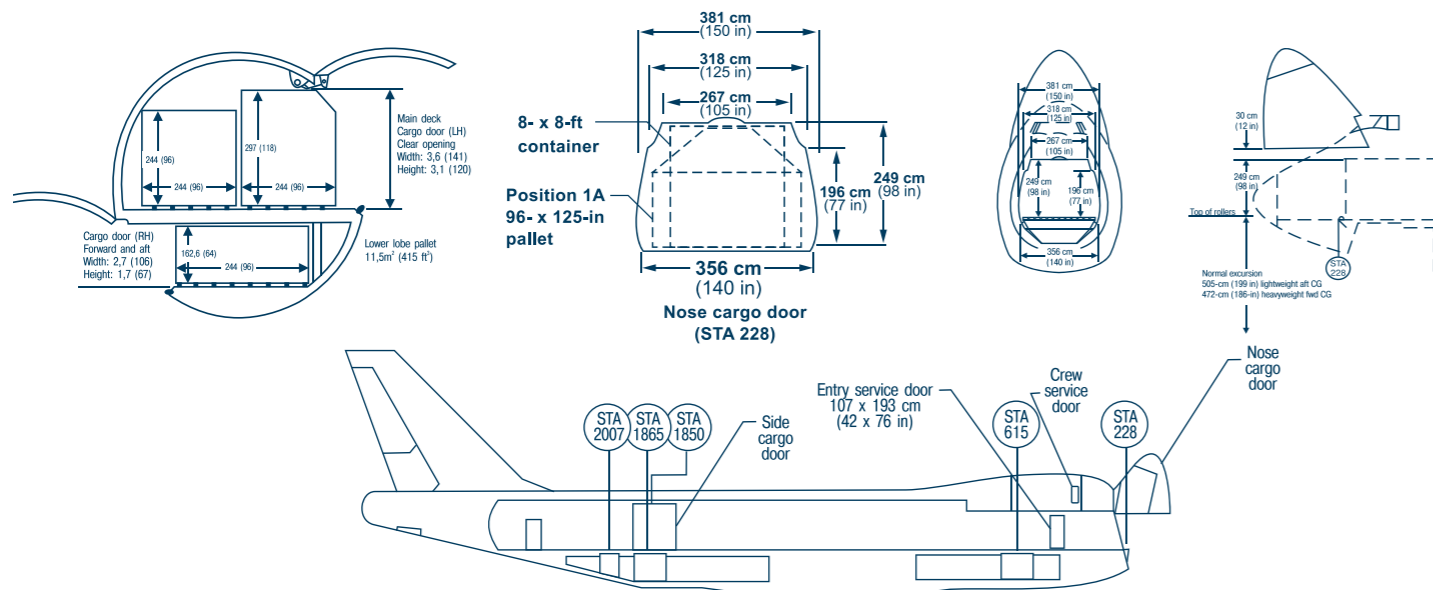
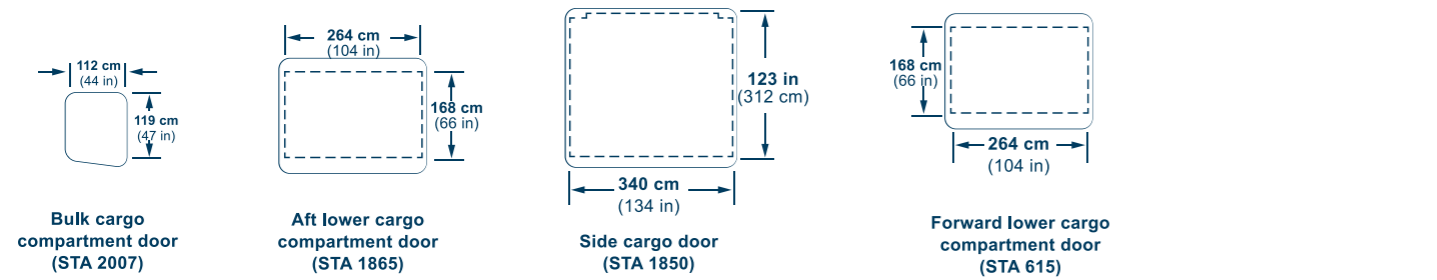
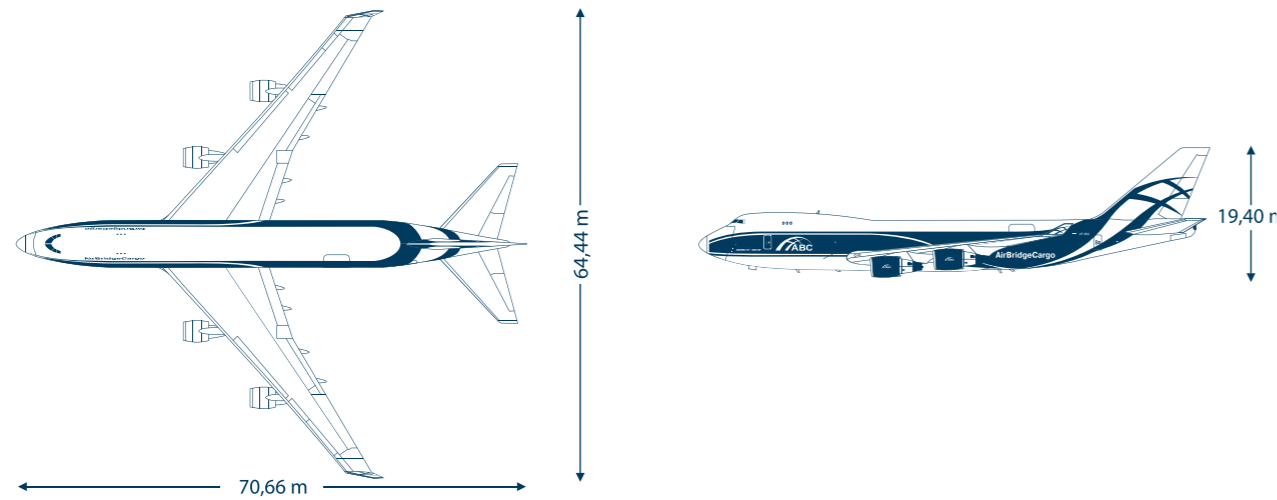
Loading dimensions of B747-8F

Maximum takeoff weight: 442,220 kg | 975,000 lb | Maximum landing weight: 344,280 kg | 759,000 lb



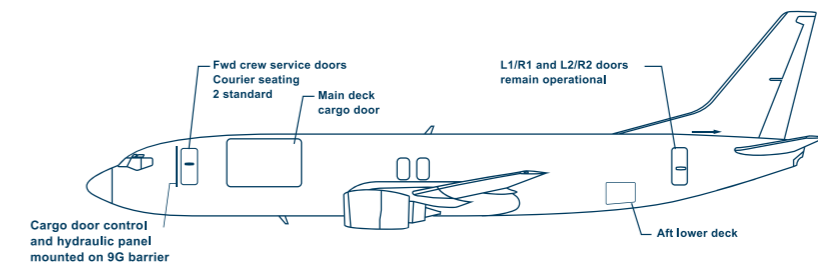
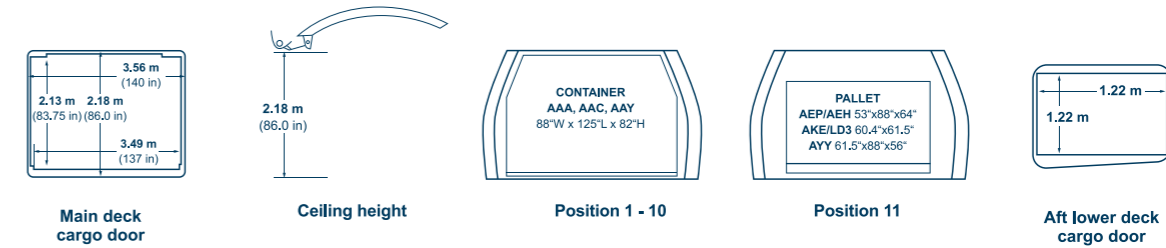
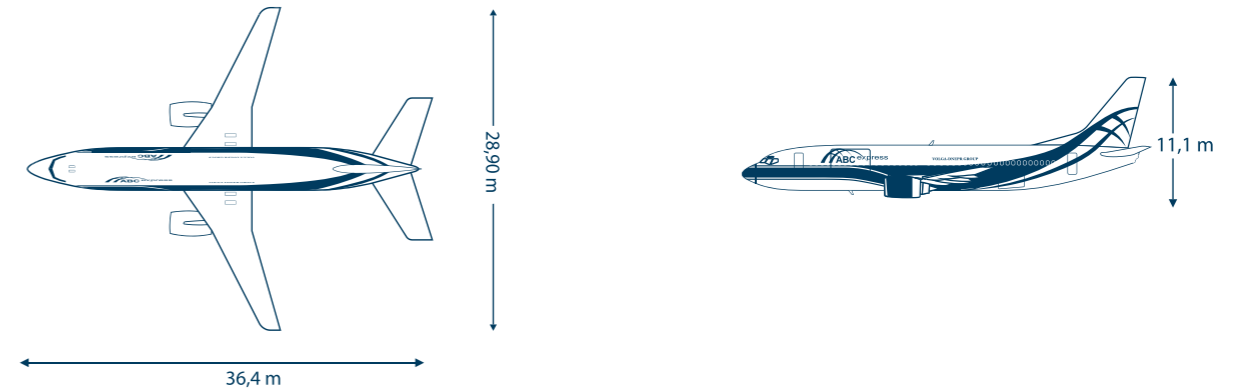
Loading dimensions of B747-400

Maximum takeoff weight: 412,770 kg | 910,000 lb | Maximum landing weight: 296,200 kg | 653,000 lb

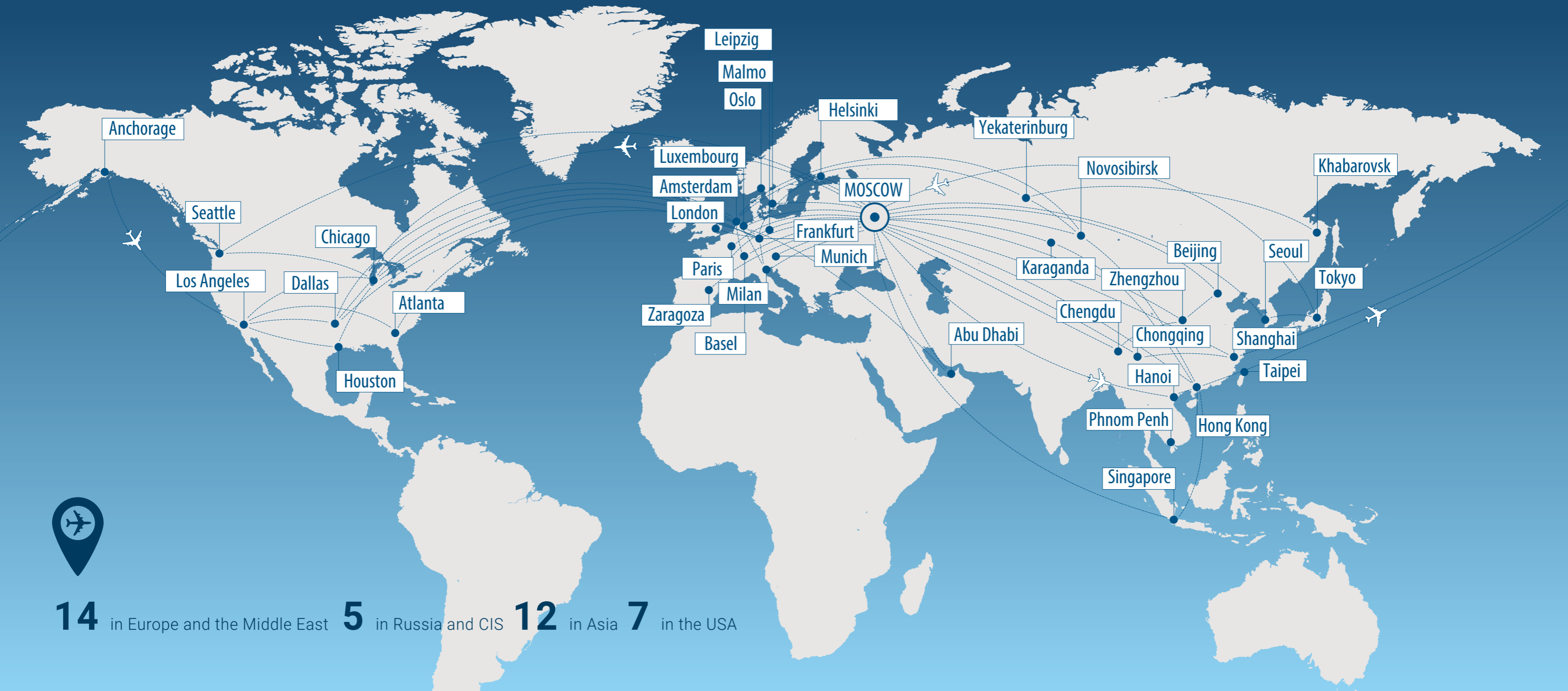


Loading dimensions of B737-400SF

Maximum takeoff weight: 65,090 kg | 143,500 lb | Maximum landing weight: 55,338 kg | 122,000 lb



Cargo volume		B747-400	B747-8F	B737-400SF
Main Deck Volume	m ³ (ft ³)	607.7 (21,462)	692.7 (24,462)	121.5 (4,289)
Pallets, total number	q-ty	30	34	10+1
Lower Hold Volume	m ³ (ft ³)	158.5 (5,600)	150.9 (5,300)	-
Bulk	m ³ (ft ³)	14.7 (520)	14.0 (496)	-



14 in Europe and the Middle East **5** in Russia and CIS **12** in Asia **7** in the USA



You like knowing the possibilities are endless.

AirBridgeCargo's extensive network provides customers with the opportunity to connect their production and consumption centers in the most efficient way. Its hub network model, with flight connectivity in Moscow, offers a wide choice of origin and destination cities and enables customers to access connections within a 48-hour delivery time, including cargo handling.

Connecting customers to the world's largest cargo markets

The airline's network covers Europe and the Middle East, Asia, Northern America and Russia and CIS. Currently, AirBridgeCargo performs over 300 weekly flights from its online stations worldwide, both via the airline's hub in Moscow and directly.

ABC's global network is complemented by the scheduled flights of ABC's interline partners and extensive trucking services.



You like thinking the way forward.

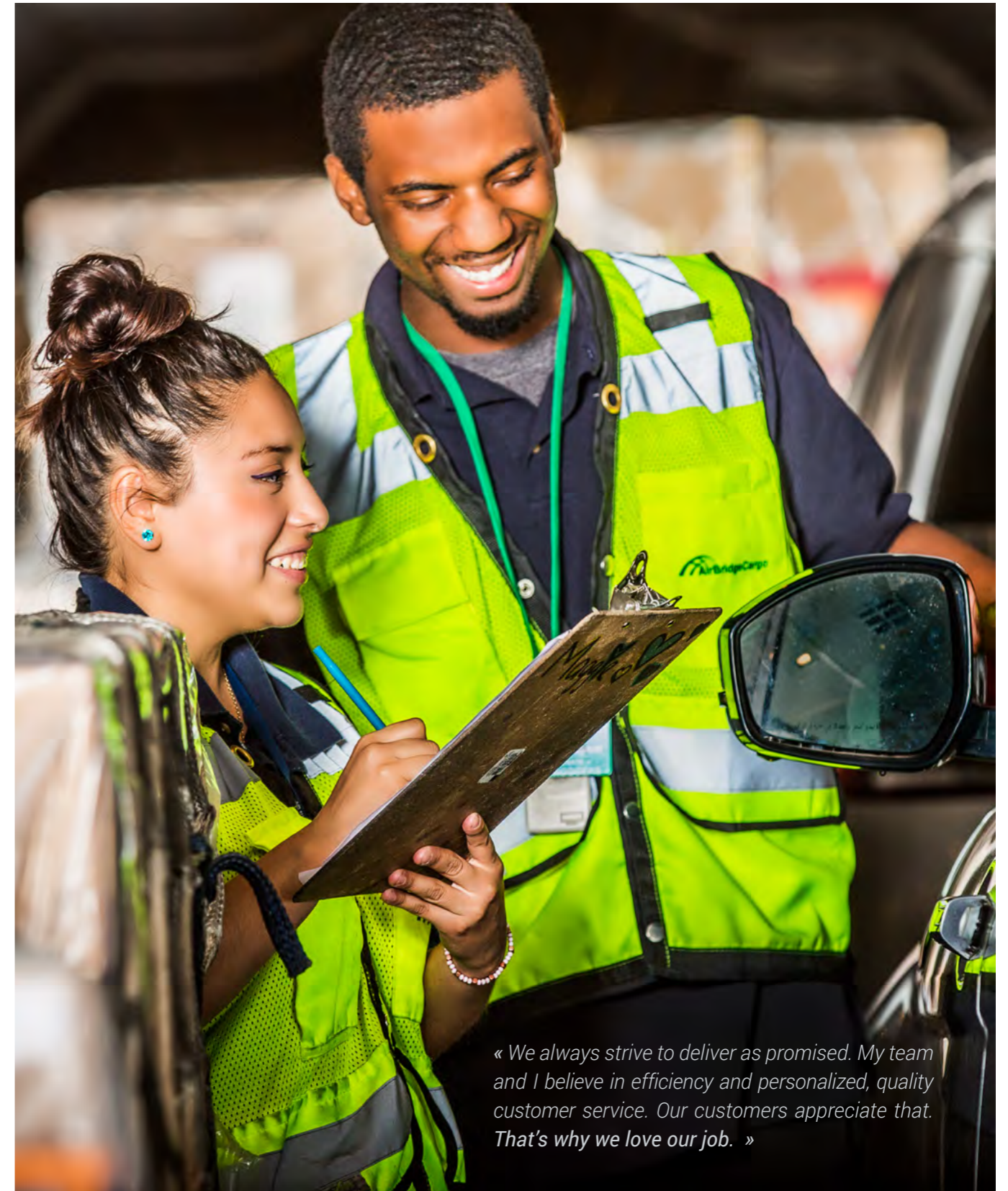
Quality has been the cornerstone of AirBridgeCargo's operations since day one and this understanding goes hand-in-hand with reliability, safety and security. ABC strictly follows and supports its own and the air cargo industry's highest standards in order to guarantee:

- **Flight safety, ABC's highest priority.** The airline's safety program is implemented under its corporate policy of flight safety management and aviation accident prevention, based on ICAO's accident prevention manual and strict internal standards. The airline is an official IOSA Operator.
- **On-time performance (OTP)** - developing 'best-in-class' OTP for customers is another daily focus for ABC, which operates a high 'Delivered-as-Promised' index of over 80% across its global network, and an even higher achievement level on certain routes. At present, the airline is among the top 5 industry leaders for this indicator, according to the independent Cargo iQ measurement.
- **Cargo safety and security** is achieved by stringent internal company processes for every stage of the cargo delivery process, managed centrally at ABC's Moscow hub.

As part of its continuous drive for service improvement, as well as security and quality enhancement, the airline actively participates in IATA, the Cool Chain Association and Cargo iQ (formerly Cargo 2000), and supports all of the initiatives introduced by these leading industry organizations. AirBridgeCargo is also fully compliant with IATA PCR Chapter 17 and CEIV certified.

Investing in our people

ABC's global team of experienced air cargo professionals unites over 900 employees around the world, and brings together local market knowledge and expertise with a global business understanding of how to consistently deliver value to ABC's customers. The airline combines the ambitious young talent within Volga-Dnepr Group with the extensive experience of its top industry professionals to achieve a fresh outlook on the industry and customers' current and future needs. This way, ABC ensures proactive, dynamic and professional services.




« We always strive to deliver as promised. My team and I believe in efficiency and personalized, quality customer service. Our customers appreciate that. That's why we love our job. »





« At ABC, we work hard to find new ways to constantly improve our cargo operations. Our team is made up of bright minds that create fresh ideas to leave a lasting, sustainable mark on our customers' businesses. That's why we love our job. »

 You like knowing you're in qualified hands.



TAKING YOUR BUSINESS FURTHER.

Supporting customers worldwide

The success of its customers is the success of AirBridgeCargo. Transparency, future-oriented thinking and business partnerships based on trust as well as a hard-working mentality make ABC unique in an industry that is dominated by technology and performance. AirBridgeCargo is made up of people working with other people, and ABC's knowledgeable cargo experts are always happy to go the extra mile to deliver value to the business interests of customers.

To ensure fast and proactive customer support and direct feedback on every shipment, ABC has sales offices in locations across the entire network. The airline takes responsibility for cargo shipments from the beginning to the very end. AirBridgeCargo also offers additional services: capacity reservation

and priority booking, the possibility to charter airplanes, on-board supervision, support with customs clearance and more. Apart from that, the company has chosen GSA agents with proven reputations to guarantee delivery solutions for off-line sales where and when needed.

Commercial organizational structures with centralized management functions in joint Volga Dnepr Groups' offices enable ABC to provide customers with a full range of logistics solutions using the Volga Dnepr 'cargo supermarket' concept. Customers' trust in AirBridgeCargo enabled the airline to be recognized as the 'Best All-Cargo Airline' by the Asian Freight, Logistic and Supply Chain Awards in 2016, 'Best Overall Performance 2016' by Anama Quality Awards, and 'Best Overall Carrier and Charter Operator of 2015' by Payload Asia Awards.

Products & Services for customers

The excellent operating advantages of ABC's freighter fleet, the performance of the airline's highly-skilled personnel, and constant improvements of its internal processes enable the airline to carry all types of air cargo in full compliance with global industry standards.

Oversized cargo and AOG services

End-to-end logistics solutions based on Volga-Dnepr Group's 25 years of expertise in unique, heavyweight and oversized cargo transportation.

- ABC's modern fleet of freighters with nose door cargo loading capabilities for quick and efficient handling in the shortest possible time (max. load capacity - up to 139 tons)
- Certified and trained staff across the entire ABC network
- Qualified handling procedures in compliance with IATA, ICAO and Boeing regulations as well as international and internal standards

Ground Handling Operational Support Team

- Operational Support Team – customized door-to-door solutions for outsized and heavy freight:
 - » Personalized approach to logistics solutions, including design & manufacture of frames for loading and transportation, packaging, delivery to gateways/airports of departure
 - » Door-to-door solutions according to customer requirements
 - » Technical on-site (manufacturer) inspection and consultation
- Priority booking, capacity guarantee, safe transport of dangerous goods and reliable on-time delivery
- 3D computer modeling for load planning of complex shipments

You like logistics that redefine what's possible.



- Possibility of cargo attendance on-board
- Shipment visibility at each stage of transportation coordinated by ABC Customer Service, supported by online Track & Trace at www.airbridgecargo.com
- Reliable transportation and logistics solutions to remote regions of the world
- Vehicle transportation:
 - » on the Lower and Main Deck of the aircraft for both palletized and RO/RO (roll on- roll off) options
 - » Standard Operation Procedure for prototype cars
 - » Transportation of hybrid vehicles (with lithium batteries)
 - » Racing car transportation
- Aerospace cargo solutions:
 - » Carriage of all commercial aircraft engines and spares. Close cooperation with aircraft and engine manufacturers to ensure correct handling and loading as well as technical support
 - » Extensive experience in satellite systems transportation
 - » Carriage of small aircraft and aircraft parts , fuselages, stabilizers and ailerons
 - » Express delivery for AOG spare parts





Dangerous Goods

- Full compliance with IATA and ICAO DG Regulations as well as relevant international standards and ABC's internal security standards
- Fully equipped to handle and deliver all classes of IATA Dangerous Goods and the ability to provide tailored solutions
- Licensed for the transportation of dangerous goods class 1 (explosives) and class 7 (radioactive), including fissile materials
- Smooth and qualified handling procedures at every gateway
- Adjustable temperature-controlled zones on-board
- Carriage of all types of lithium and lithium-ion batteries (UN 3480 and UN 3090) based on constant risk assessment and minimization of possible hazards
- Transportation of hybrid vehicles with lithium-ion battery engines
- Separate handling away from incompatible substances
- Possibility of obtaining exemptions and approvals for carriage of dangerous goods, e.g. prototypes of radioactive goods
- Handling services provided by certified and trained staff across the entire ABC network in accordance with national requirements



For booking and more detailed information, please contact your local ABC representative.

Live animals

- Full compliance with IATA AVI regulations and other relevant international standards
 - Controlled temperature zones to ensure the comfort, safety and well-being of the animals on-board
 - Special handling facilities at every gateway for a smooth and qualified handling with authorized access for approved staff only
 - Attention to every detail - from horse stalls, kennels, ventilation and stocking densities to documentation and communication. ABC will provide full information concerning export and import requirements (including permits), veterinary health inspections, quarantine regulations, trans-shipment requirements or any other restrictions
 - Highest priority for booking and cargo loading as well as quick transit times
- All handling and transport processes are adapted to the special requirements of the animals carried
- Cargo attendants accompanying live animals on-board to control animal health and well-being
 - AVI licensed Live Animal Advisory specialists
 - Assistance with all documentation and IATA Live Animal Regulations' requirements
 - Cooperation with local authorities to ensure fast and efficient processes at origin and destination
 - Possibility to rent special transport containers including horse stalls and kennels
 - More than 10 years of experience, including the safe transportation of racehorses, dolphins, whales, elite breeding stock, cattle, tigers and bear cubs



EXTRA CARE THAT ISN'T EXTRA.



Perishables

- ABC's team of perishable cargo experts is ready to undertake any challenge
- Shortest acceptance and transit times as well as highest priority during booking and loading
- Compliance with all applicable guidelines including IATA regulations
- Possibility to provide required examinations by local phytosanitary and veterinary authorities under temperature controlled conditions
- To ensure constant temperature control, ABC offers:
 - » Temperature controlled environments in handling facilities, majorities of stations and during the entire flight
 - » Freezers, cool facilities and refrigeration trucks can be organized at the majority of ABC stations
 - » Temperature controlled cells at the SVO hub
 - » Availability of thermal blankets
- State-of-the-art aircraft features, including environmental control systems to reduce humidity, control pressure and set independent temperature zones





Pharma

- Modern fleet of B747-400 and B747-8 with
 - » three independently controlled temperature zones enabling transportation of shipments with different temperature range requirements
 - » selectable target temperature range from 4°C to 29°C for each cargo compartment
 - » independent temperature control between main deck and lower deck
 - » small temperature gradients of +3°C around set target temperature
 - » fast temperature pull down times after take off
- High priority for booking and cargo loading
- Dedicated and qualified airline personnel trained in time and temperature sensitive goods transportation
- Temperature monitoring and control on-board, on tarmac, at warehouse and trucks
- Thermal blankets, temperature controlled dollies and trucks to minimize risks to the shipments
- Customer's recording or transmitting loggers into the shipments, after review of loggers characteristics and if there is no collision with DG rules and AC systems
- RFS solutions in Europe
- Temperature controlled facilities (including cool cells facility for transit shipments in SVO-hub)
- Trained and qualified personnel of handling agents, written procedures and service level agreements



Furthermore, ABC offers the following specialized services for healthcare shipments:

abc PHARMA Active is the solution for time and temperature sensitive pharmaceutical products that need to be shipped in active containers. A variety of containers is used to keep healthcare goods as protected as possible, including dry ice technologies. Goods shipped are kept at a constant temperature throughout the entire cargo journey. Use of active containers mitigates risks for ambient temperature influence on healthcare products.

abc PHARMA Passive is a solution for prepackaged pharmaceutical products. Within required temperature ranges and by seasonal consideration of routes, healthcare goods are shipped efficiently and effectively.



SPECIFICATIONS	abc PHARMA ACTIVE	abc PHARMA PASSIVE
Active Control Containers*	+	-
B747-400 / B747-8 with 3 independently controlled temperature zones	+	+
High priority for booking and cargo loading	+	+
Thermal blankets	-	On request
SOP with Customers **	On request	On request
Special supervision	+	On request
Temperature monitoring during freight transportation chain	+	On request
Dedicated and qualified airline personnel	+	+
Route network	Active containers approved	On request

* - Envirotainer containers + cSafe containers + Dokasch containers ** - Standard Operational Procedures

Additional services are available on request, please contact: pharma@airbridgecargo.com



BECAUSE YOUR MISSION MATTERS TO US.

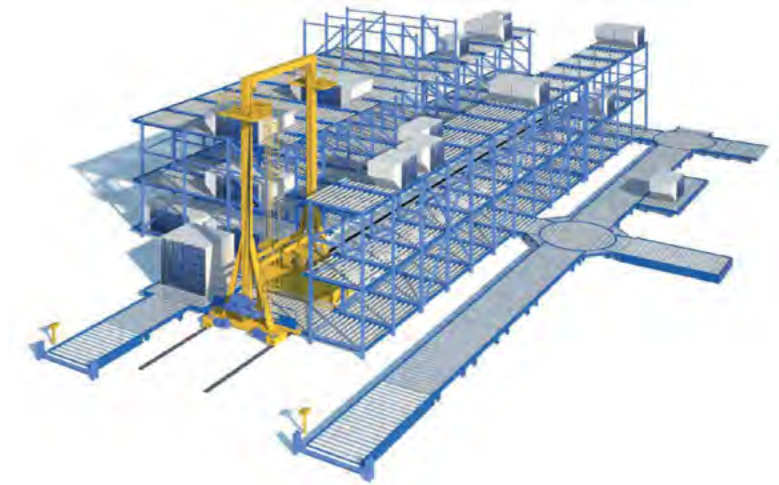


Our SVO Moscow Hub

ABC's Moscow hub at Sheremetyevo airport features modern equipment in each warehouse, allowing for efficient, seamless and safe handling of any type of cargo - from live animals to dangerous substances and beyond. Our decision to develop SVO Moscow hub was an important milestone in the history of the company and a strategic step on our path to become a network carrier. Our hub network model and flight connectivity in Moscow lets our customers access connections within a 48-hour delivery time - including handling. The cargo terminal facilities have direct access to the airside apron, facilitating a seamless flow of cargo.

Hub facilities

- 3 GHAs operating dedicated warehouses
- 20,000m² of total warehouse space
- Dedicated zones for special cargo (dangerous goods, temperature-controlled, vulnerable and live animal shipments) and quarantine zones
- Dedicated pharmacy warehouse
- 380m³ area for temperature-controlled cargo with dedicated temperature zones
- Special cargo equipment: high-loaders for heavy cargo, refrigerated trucks, and dollies for perishable cargo
- Dedicated control staff located in each warehouse
- 24/7 video surveillance (137 cameras) and automated cargo access control system
- 99.98% safety index
- TAPA certified
- Temperature and humidity monitoring and control using certified devices
- Highly-skilled and qualified personnel



Get in touch with us.

RUSSIA

Moscow Head Office

Building 3, 28B, Mezhdunarodnoe road,
Business center "Skypoint",
Moscow, Russia 141411
Tel.: +7 495 7862613
Fax: +7 495 7556581
E-mail: info@airbridgecargo.com

EUROPE

Germany | Frankfurt am Main

CargoCity South, Bldg. 534/6th floor
D-60549 Frankfurt am Main
Tel.: +49 69 638 097 – 100
Fax: +49 69 638 097 – 101
E-mail: service.fra@airbridgecargo.com

Germany | Munich

Frachtstrasse, Frachtbuerogebaeude, Modul B,
Room 319
D-85356 Munich Airport
Tel.: +49 89 2000 531 – 0
Fax: +49 89 2000531 – 99
E-mail: service.muc@airbridgecargo.com

Germany | Berlin

Hauptstrasse 2
D-14979 Grossbeeren
Tel.: +49 33701-2663 20
Fax: +49 33701-2663 99
E-mail: cornelia.korsch@airbridgecargo.com
E-mail: service.lej@airbridgecargo.com

Luxembourg

22, rue Gabriel Lippmann
L-5365 Munsbach
Tel.: +352 2040 7747 70
E-mail: service.fra@airbridgecargo.com

France | Paris

Cargo 7
20, rue du Pavé / Bat B4
95704 Roissy CDG
Tel.: +331 74 25 06 03
E-mail: service.cdg@airbridgecargo.com

Netherlands | Amsterdam

Anchoragelaan 50
1118 LD Schiphol Airport
Tel.: +31 20 654 9030
Fax: +31 20 654 9044
E-Mail: sales.ams@airbridgecargo.com

Switzerland | Basel

RTW Air Services SA
General Sales Agent of AirBridgeCargo Airlines
Fachtgebäude 1.209
CH-4030 Basel Airport
Tel.: +41 61 325 1410
Fax: +41 61 325 1411
E-mail: bsl@rtwair.ch

Italy | Milan

Via Monzese, 34
20060 Vignate (MI), Italy
Tel.: + 39 02 959395140
E-mail: service.mxp@airbridgecargo.com

Spain | Zaragoza

Airnautic Spain – General Sales Agent of
AirBridgeCargo Airlines
Edificio de Servicios Generales, Of.A-314
08820 El Prat de Llobregat, Spain
Tel.: +34 93 829 24 70
E-mail: c.martinez@airnautic.aero
E-mail: eric.lamare@airbridgecargo.com

Finland | Helsinki

Kales Airline Services
General Sales Agent of AirBridgeCargo Airlines
Perintoetie 2 D
FI-01510 Vantaa
Tel.: +358 9870 0350
Fax: +358 9870 03515
E-mail: info.hel@kales.com

USA

CHICAGO

836 Patton Drive
Building E, Suite 237
Building D (From Export & drop station)
Chicago, IL 60666
Tel: +1 773 800-2361
Sales/customer service:
E-mail: abc-sales.ord@airbridgecargo.com
E-mail: service.usa@airbridgecargo.com

DALLAS

Suite 295 - Building 300
1639 W. 23rd Street
DFW Intl Airport, TX 75261
Tel: Export: +1 469 629 04 78
Tel: Import: +1 214 296 03 74
Sales/customer service:
E-mail: abc-sales.dfw@airbridgecargo.com
E-mail: service.usa@airbridgecargo.com

LOS ANGELES

5761 W Imperial Hwy
Los Angeles, CA 90045
Tel: +1 310 258 6100 ext. 3902, 3903, 3904, 3905
For import enquiries: abccops@mercuryair.com
Sales/customer service:
E-mail: abc-sales.lax@airbridgecargo.com
E-mail: service.usa@airbridgecargo.com

ATLANTA

P.O. Box 161767
Atlanta, GA, 30321
Sales/customer service:
E-mail: abc-sales.atl@airbridgecargo.com
E-mail: service.usa@airbridgecargo.com

HOUSTON

19115 Lee Road, Bldg. C,
Suite 150, Houston, TX 77338
Tel.: +1 281 545 0864
Sales/customer service:
E-mail: abc-sales.iah@airbridgecargo.com
E-mail: service.usa@airbridgecargo.com

Get in touch with us.

CHINA

HONG KONG

Room 430, 4/F.South Office Block, Super Terminal
One Hong Kong International Airport,
Chep Lap Kok, Hong Kong
Tel.: +852 2215 3928
Fax: +852 2215 3878
E-mail: service.hkg@airbridgecargo.com

SHANGHAI

Room 3105, Shanghai Maxdo Center,
8 Xingyi Road, Shanghai,
P.R. China 200336
Tel.: +86 21 52080011
Fax: +86 21 52080508
E-mail: service.pvg@airbridgecargo.com

BEIJING

Room 2006B, Air China Plaza
No 36 xiaoyun Road
Chaoyang District,
Beijing 100027.PRC
Tel.: +86 10 8447 5936/37/38
Fax: +86 10 8447 5935
E-mail: service.pek@airbridgecargo.com

ZHENGHOU

RM525 Domestic Cargo Terminal, Xin Zheng
International Airport Zheng Zhou,
He Nan Province,P.R.China 451162
Tel.: +86 371 6851 2201
E-mail: service.cgo@airbridgecargo.com

JAPAN

TOKYO

Onarimon Yusen Bldg 9F 3-23-5 Nishi-Shinbashi,
Minato-ku, Tokyo 105-0003
Tel.: +81 3 5777 4025
for service enquiries:
E-mail: service.nrt@airbridgecargo.com
for sales enquiries:
E-mail: sales.jpn@airbridgecargo.com

SINGAPORE

SINGAPORE

Room 238, Level 2, Core F, SATS AirFreight
Terminal 3
105 Airport Cargo Road
Singapore 819462
Tel.: +65 6214 9424
E-mail: service.sin@airbridgecargo.com

SOUTH KOREA

SEOUL

Room 604, 6th Floor, Seoul Center Building
116, Sogong-ro, Jung-gu,
Seoul, 04533, Korea
Tel.: +82 2 712 5803
Tel.: +82 70 4136 5804
E-mail: yb.ha@airbridgecargo.com

VIETNAM

HANOI

Room 343, ALS Cargo Terminal
Noi Bai International Airport
Soc Son District
Hanoi, Vietnam
Tel.: +84 38501339
Tel.: +84 902421339
E-mail: han.ops@airbridgecargo.com





That's why we love our job.

www.airbridgecargo.com